

AURA.520-S WORKSTATION

●●●●● ARGOSY

Sit-  
Stand



Your dream studio®  
just got closer.

Imagine -  
then transform.

ph: 573.557.3150 toll free: 800.315.0878

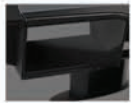
## ENERGIZE YOUR CREATIVITY

and workflow with Aura.520-S.

Beautifully functional and ergonomic support, Argosy's universal workstations combine style with flexibility to accommodate emerging technologies with classic Argosy design features.

## AURA.520-S WORKSTATION

# Sit- Stand



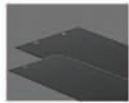
21" Shelf  
Modification



Dual  
Monitor Arm



Speaker  
Platforms



Blank Panels



Rack Rail  
Screws

### ACCESSORIES



Sit or stand  
with 27" to 42"  
electronic height  
adjustment



Optional rack module configurations

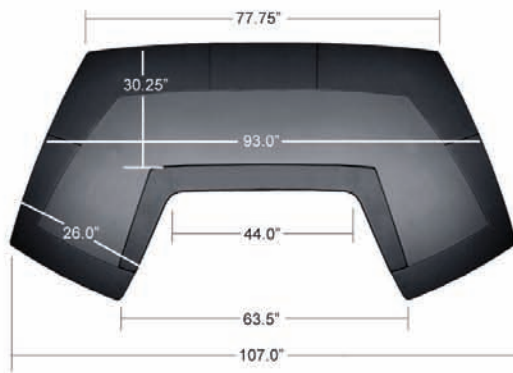
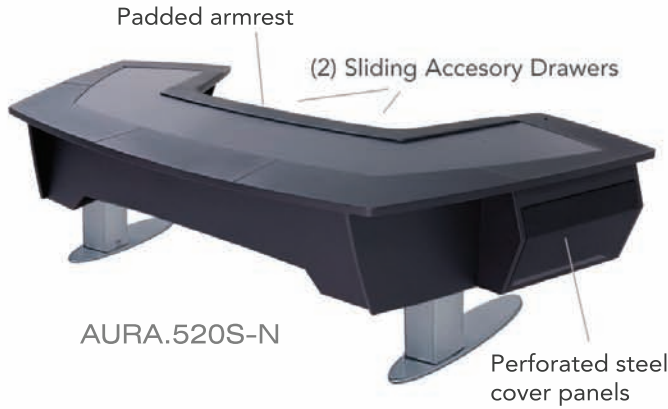
For more information about our products and services or to see a list of dealers, please visit us at [www.argosyconsole.com](http://www.argosyconsole.com) or call the numbers below.

©2011 ARGOSY CONSOLE, INC. All rights reserved. Argosy and Dream Studio are registered trademarks of Argosy Console, Inc. Other trademarked names are the property of their respective owners.

ph: 573.557.3150 toll free: 800.315.0878

# AURA.520S

# Sit-Stand



AURA.520S electric lifting columns provide users a stable work surface at any desired height with the push of a button. Go from sitting to standing or anywhere in between quietly in just a matter of seconds. Engineered for anthropometric and ergonomic comfort with the highest degree of stability, AURA.520S ships disassembled and is available in four different configurations. 520S-N features a spacious desk surface with under-mount shelving racks on the left and right. The 520S-LR has under-mount racks plus upper racks for integrating electronics on both sides. 520S-L (not shown) has one upper rack on the LEFT and flat desk surface on the right. 520S-R (not shown) is just the opposite configuration. All configurations provide internal cabling accommodations and pass-thrus for computers and multi-screen monitoring.



©2011 Argosy Console, Inc. All rights reserved.

The information transmitted is intended only for the person or entity to which it is addressed and may contain confidential and/or privileged material. If you are not the intended recipient of this message please do not read, copy, use, or disclose this communication and notify the sender immediately. It should be noted that any review, retransmission, dissemination or other use of, or taking action or reliance upon, this information by persons or entities other than the intended recipient is prohibited. All renderings, designs, and products remain the intellectual property of Argosy Console, Inc. These materials are provided by Argosy as a service to its customers and may be used for informational purposes only. Argosy Console, Inc. does not warrant the accuracy or completeness of information, text, graphics, photography, color representations, links or other items that may be contained within these materials. Argosy Console, Inc. shall not be liable for any special, indirect, incidental, or consequential damages, including with out limitation to lost revenues or lost profits, that may result from use of these materials. Argosy Console, Inc. may make changes to these materials and/or to the products described therein at any time without notice. Use, duplication, or disclosure by the United States Government is subject to restrictions set forth in DFARS Section 252.227-7013 (c)(1)(ii) and FAR Section 52.227-19 as applicable. Trademark Information: The following are registered trademarks of Argosy Console, Inc. and its affiliates: Argosy, Argosy Console, Inc., Dream Studio. \* All other brands and names are the property of their respective owners.