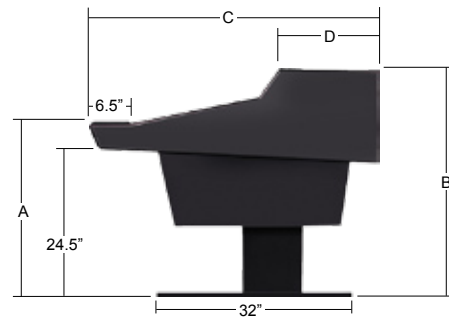
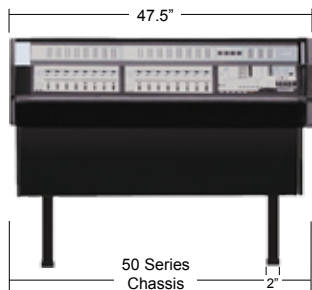


# 50 Series

## FEATURES AND TECHNICAL SPECIFICATIONS

| 50 Series<br>for       | A<br>height | B<br>height | C<br>depth | D<br>depth |
|------------------------|-------------|-------------|------------|------------|
| Digidesign® Control 24 | 28.5"       | 40.0"       | 42.0"      | 9.25"      |
| Digidesign® ProControl | 29.0"       | 37.0"       | 44.5"      | 15.25"     |
| Mackie® 8 bus          | 28.5"       | 37.0"       | 44.5"      | 15.25"     |
| Mackie® DXB            | 29.0"       | 37.0"       | 44.5"      | 15.25"     |
| Panasonic® DA-7        | 28.5"       | 40.0"       | 42.0"      | 13.5"      |
| SoundCraft® Ghost      | 29.5"       | 37.0"       | 44.5"      | 14.0"      |
| Tascam® DM24           | 28.5"       | 40.0"       | 42.0"      | 9.25"      |
| Tascam® DM3200/DM4800  | 28.5"       | 41.0"       | 47.0"      | 13.0"      |
| Tascam® FW1884         | 28.5"       | 37.0"       | 42.0"      | 15.25"     |
| Toft® ATB              | 29.5"       | 37.5"       | 42.0"      | 13.0"      |
| Yamaha® DM2000         | 30.6"       | 40.5"       | 50.0"      | 11.75"     |
| Yamaha® O2R/O2R.96     | 29.5"       | 40.5"       | 47.0"      | 10.0"      |



Enclosed utility area behind meterbridge separates and conceals cabling.

Removable lid allows access to utility areas.

Removable back access panel provide access to cabling and equipment.

One piece, full length, padded armrest provides comfort for extended hours of use.

Each model is product specific to achieve best possible fit.

Open chassis design defeats thermal buildup and permits easy cabling access.

Steel leg assemblies.

Argosy quality in a smaller, non-expandable format.



**50 Series** consoles ship disassembled for easy installation. Each model design is product specific to achieve the best possible fit. Chassis components are made of 19mm MDF to provide strength and durability with minimal acoustical influence. Open chassis design defeats thermal buildup and permits easy cable access. Enclosed utility area behind meter-bridge separates, conceals, and protects vital gear and cabling. Detachable lid mounted on adjustable hinges and full-length back access panel provide easy access to utility areas. Multiple cable grommets in back main platform provide convenient cabling access. \*Free shipping within the continental United States.