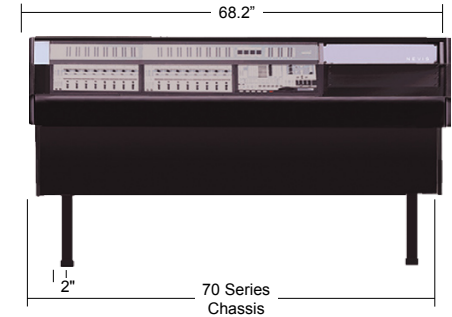
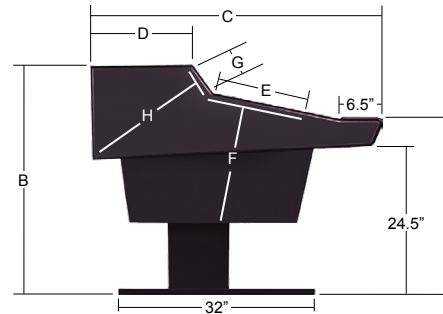


70 SERIES

FEATURES AND TECHNICAL SPECIFICATIONS

70 Series consoles are shipped disassembled for easy installation. Each model design is product specific to achieve the best possible fit. Chassis components are made of 19mm MDF to provide strength and durability with minimal acoustical influence. Open chassis design defeats thermal buildup and permits easy cable access. Enclosed utility area behind meter-bridge separates, conceals, and protects vital gear and cabling. Detachable lids mounted on adjustable hinges and full-length back access panel provide easy access to utility areas. Multiple cable grommets in back main platform provide convenient cabling access. *Free shipping within the continental United States.



Dual lid design allows access to utility areas without having to clear entire bridge.

Most models offer on-board rack space to put crucial outboard gear at your fingertips.

Argosy quality in a smaller, non-expandable format.

Removable back access panel provide access to cabling and equipment.

Enclosed utility area behind meterbridge separates and conceals cabling.

One piece, full length, padded armrest provides comfort for extended hours of use.

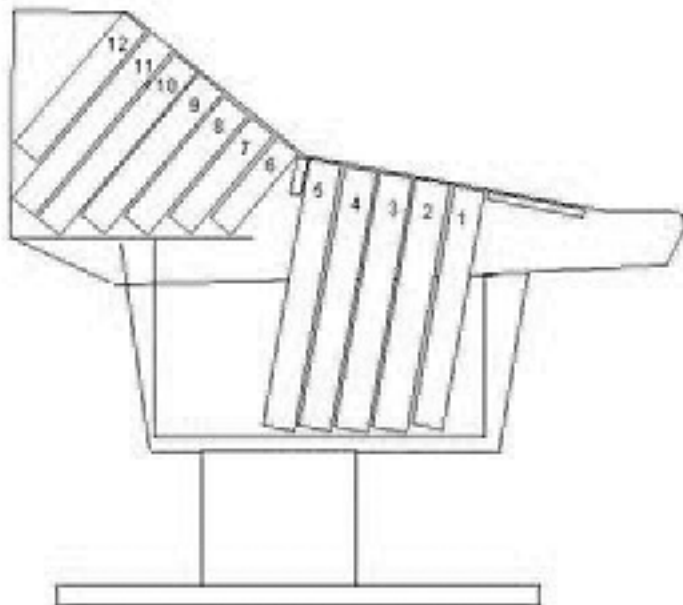
Steel leg assemblies.

Open chassis design defeats thermal buildup and permits easy cabling access.

70 Series for

	A height	B height	C depth	D depth	E rack sp	F min. depth	G rack sp	H min. depth
Digidesign® Control 24	28.5"	40.0"	42.0"	9.25"	5 sp.	15.25"	7 sp.	6"-14"
Digidesign® ProControl	29.0"	37.0"	44.5"	15.25"	8 sp.	15.5"	2 sp.	11.75"
Mackie® 8 bus	28.5"	37.0"	44.5"	15.25"	8 sp.	14.25"	3 sp.	14.25"
Mackie® D8B	28.5"	37.0"	42.0"	15.25"	6 sp.	15.75"	2 sp.	11.0"
Mackie® DXB	29.0"	37.0"	44.5"	15.25"	3 sp.	16.0"	6 sp.	8.25"
Panasonic® DA-7	28.5"	40.0"	42.0"	13.5"	7 sp.	15.25"	4 sp.	14.0"
Sony® DMX-R100	29.5"	37.0"	42.0"	13.0"	4 sp.	15.5"	5 sp.	10.5"
SoundCraft® Ghost	29.5"	37.0"	44.5"	14.0"	8 sp.	15.25"	2 sp.	13.25"
Tascam® DM24	28.5"	40.0"	42.0"	9.25"	5 sp.	15.25"	7 sp.	6"-14"
Tascam® DM3200/DM4800	28.5"	41.0"	47.0"	13.0"	10 sp.	15.75"	3 sp.	12.0"
Tascam® FW1884	28.5"	37.0"	42.0"	15.25"	6 sp.	15.75"	2 sp.	11.0"
Yamaha® DM2000	29.0"	40.5"	50.0"	11.75"	11 sp.	15.75"	3 sp.	10.75"
Yamaha® O2R/O2R.96	29.5"	40.5"	47.0"	10.00"	11 sp.	16.0"	3 sp.	9.0"

70/90 Series for Digidesign Control|24 / Tascam Dm24



Rack Depth Restrictions

1. 370mm / 14.57"
2. 373mm / 14.69"
3. 378mm / 14.88"
4. 382mm / 15.04"
5. 388mm / 15.28"
6. 155mm / 6.10"
7. 190mm / 7.48"
8. 240mm / 9.45"
9. 285mm / 11.22"
10. 325mm / 12.80"
11. 350mm / 14.17"
12. 320mm / 12.60"